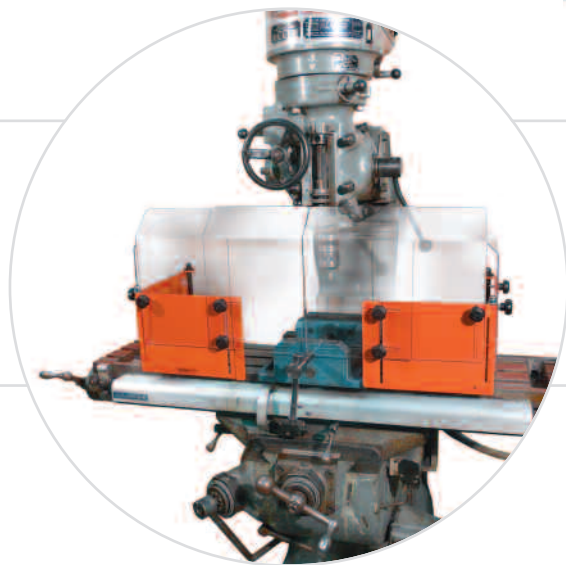
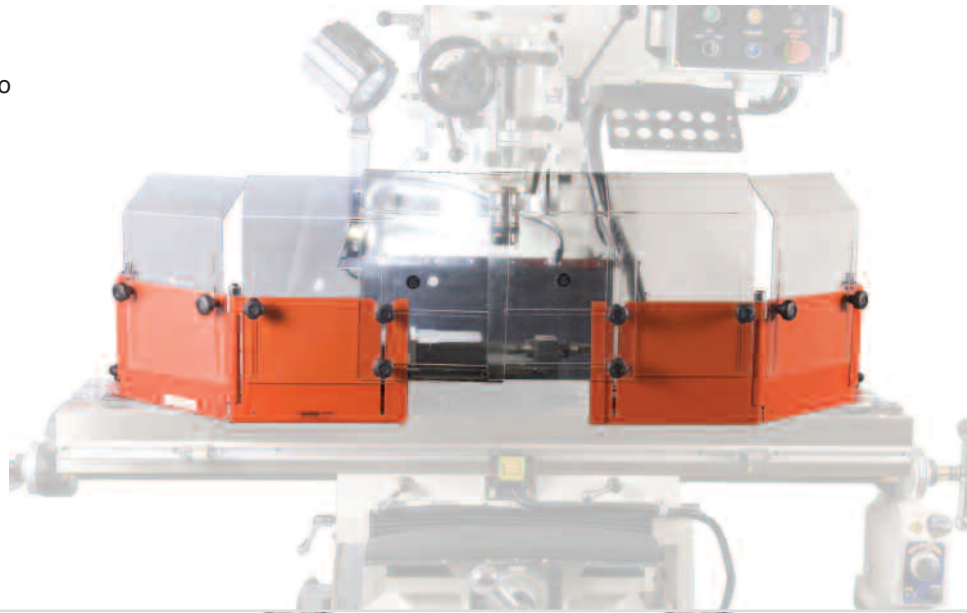


VERTICAL MILLING MACHINE (MANUALLY OPERATED) - MAX-A-JUST®

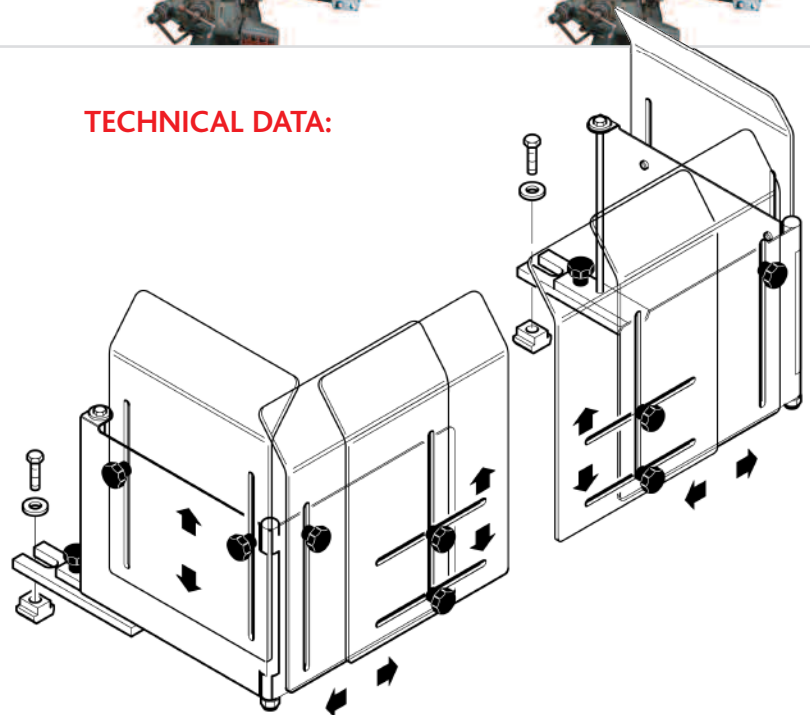
- Machine Type - Manually operated milling machines
- Method of attachment - Adjustable rail secured to machine table with T. Nuts (1 per side)
- Positive Manual latch
- Construction - Mild steel adjustable polycarbonate visors
- Operation - Vizors adjusted around machine cutters, hinges open to give access to tooling



TECHNICAL DATA:

	MAX-A-JUST Model M1	MAX-A-JUST Model M2
Minimum Vertical Height	200mm	250mm
Maximum Vertical Height	350mm	450mm
Minimum overall Length enclosing	375mm	475mm
Maximum overall Length enclosing	525mm	800mm
Minimum overall Length extended	700mm	925mm
Maximum overall Length extended	875mm	1250mm

(Both sides
extended in line)



Smallest T-Nut available 12mm
Largest T-Nut available 18mm

Part No.	Model
20001	M1
20002	M2

Spare Vizors (Set of 6)

Part No.	Model
20003	M1
20004	M2

important:
when ordering
please specify
'tee slot' size

